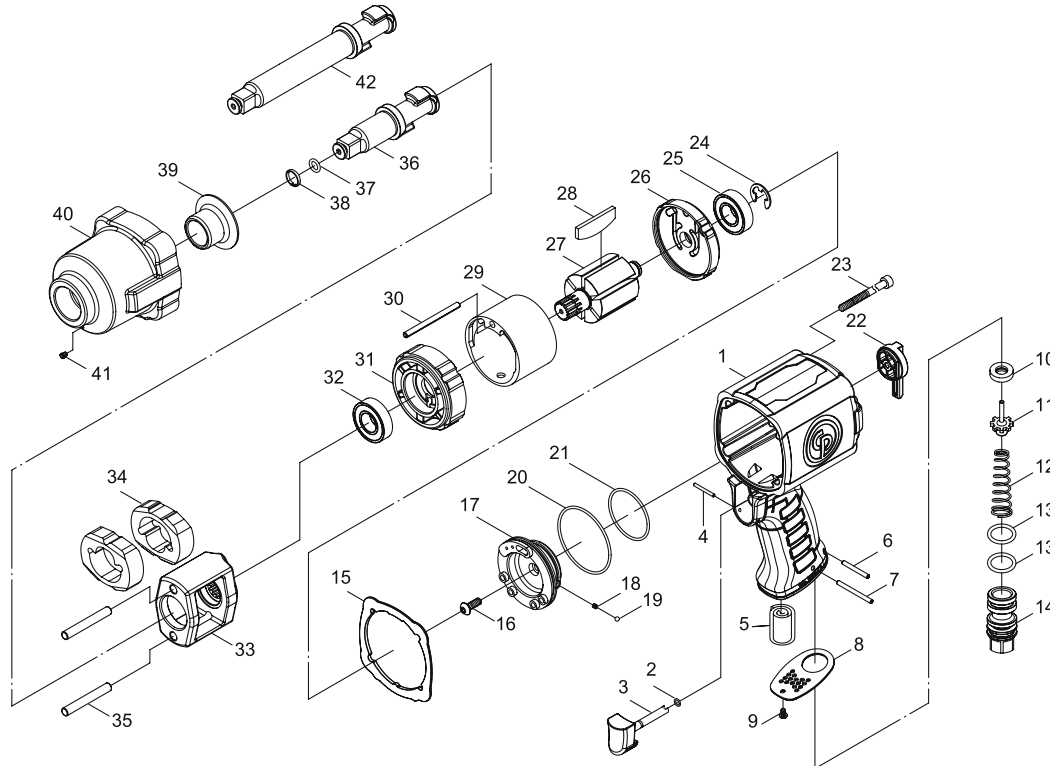
	6159948710	Safety instruction
	8950900061	Warning Label




Item No.	Part No.	Description	Q'ty
27	8940171103	Rotor	1
28	8940171105	Blade (Set of 6)	1
29	8940171101	Cylinder	1
33	8940174819	Hammer cage	1
34	8940174820	Hammer dog (Set of 2)	1
35	8940171114	Hammer pin (Set of 2)	1
23	8940176516	Screw (M5 x 85L Hex head bolt) (Set of 4)	1
A	8940174816	Anvil kit	1
36		Anvil 1/2"	1
37		O-ring (P 7)	1
38		Anvil collar 1/2"	1
B	8940174818	Extended anvil kit	1
42		Extended anvil 2"	1
37		O-ring (P 7)	1
38		Anvil collar 1/2"	1
C	8940171316	Socket retainer kit (Set of 5)	1
37		O-ring (P 7)	5
38		Anvil collar 1/2"	5
D	8940176731	Handle kit	1
1		Housing	1
2		O-ring	1
3		Trigger	1
4		Spring pin (Ø2 x 20L)	1
5		Muffler filter	1
6		Spring pin (Ø3 x 24L)	1
7		Spring pin (Ø3 x 32L)	1
8		Exhaust deflector	1
9		Screw (M3 x 8L Button head)	1
10		Oil seal	1
11		Pin valve rod (DØ16.15 x L30.2)	1
12		Cone spring	1
13		O-ring	2
14		Air inlet(1/4" NPT)	1
16		Screw (M5 x 10L Cross round head)	1
E	8940176732	Trigger kit	1
2		O-ring	1
3		Trigger	1
4		Spring pin (Ø2 x 20L)	1

Item No.	Part No.	Description	Q'ty
F	8940176733	Inlet kit	1
5		Muffler filter	1
6		Spring pin (Ø3 x 24L)	1
7		Spring pin (Ø3 x 32L)	1
10		Oil seal	1
11		Pin valve rod (DØ16.15 x L30.2)	1
12		Cone spring	1
13		O-ring	2
14		Air inlet(1/4" NPT)	1
G	8940176734	Reverse valve kit	1
16		Screw (M5 x 10L Cross round head)	1
17		Reverse valve	1
18		Spring	1
19		Steel ball (SDØ1/8")	1
20		O-ring	1
21		O-ring (S32)	1
22		Reverse lever	1
H	8940176736	Clutch housing kit	1
15	8940176510	Packing	1
39		Bushing	1
40		Front casing	1
41		Grease fitting	1
I	8940176737	Front plate kit	1
30		Pin (Ø4.2 x 48L)	1
31		Front plate	1
32	8940171134	Ball bearing (6002 ZZ)	1
J	8940176738	End plate kit	1
24		E-ring (ETW-10)	1
25	8940171133	Ball bearing (6001 ZZ)	1
26		Rear plate	1
TK	8940176739	Tune-up kit	1
Include 2,4,5,6,7,10,13,18,19,20,21,24&28			

Item	Dir.	Glue /Grease	Tightening Torque
9	C	N/A	1 Nm
16	C	N/A	1 Nm
23	C	N/A	6 Nm
10	/	Clutch grease	4 g

Recommended Accessories

	Oil for motor lubrication
	8940176599 CPA1016 (4 oz - 0,12 l)
	8940176597 CPA1014 (20,8 oz. - 0,59 l)
	8940176598 CPA1015 (1 gal - 3,8 l)



Protective Cover
2050559183

Spare parts without part number are not sold separately
Contact us at www.cp.com

19/03/2021
8940176494 Rev. : 01