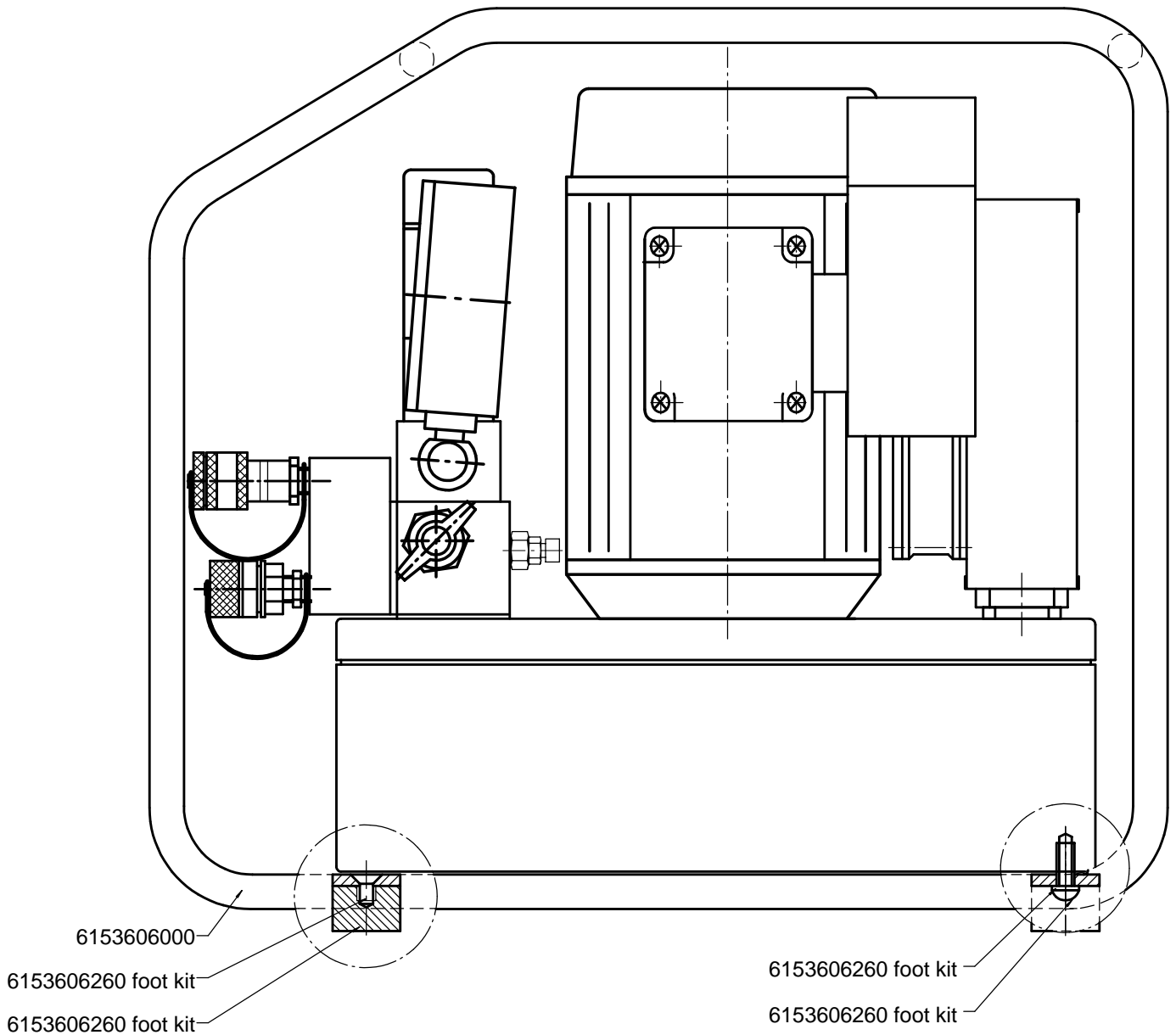
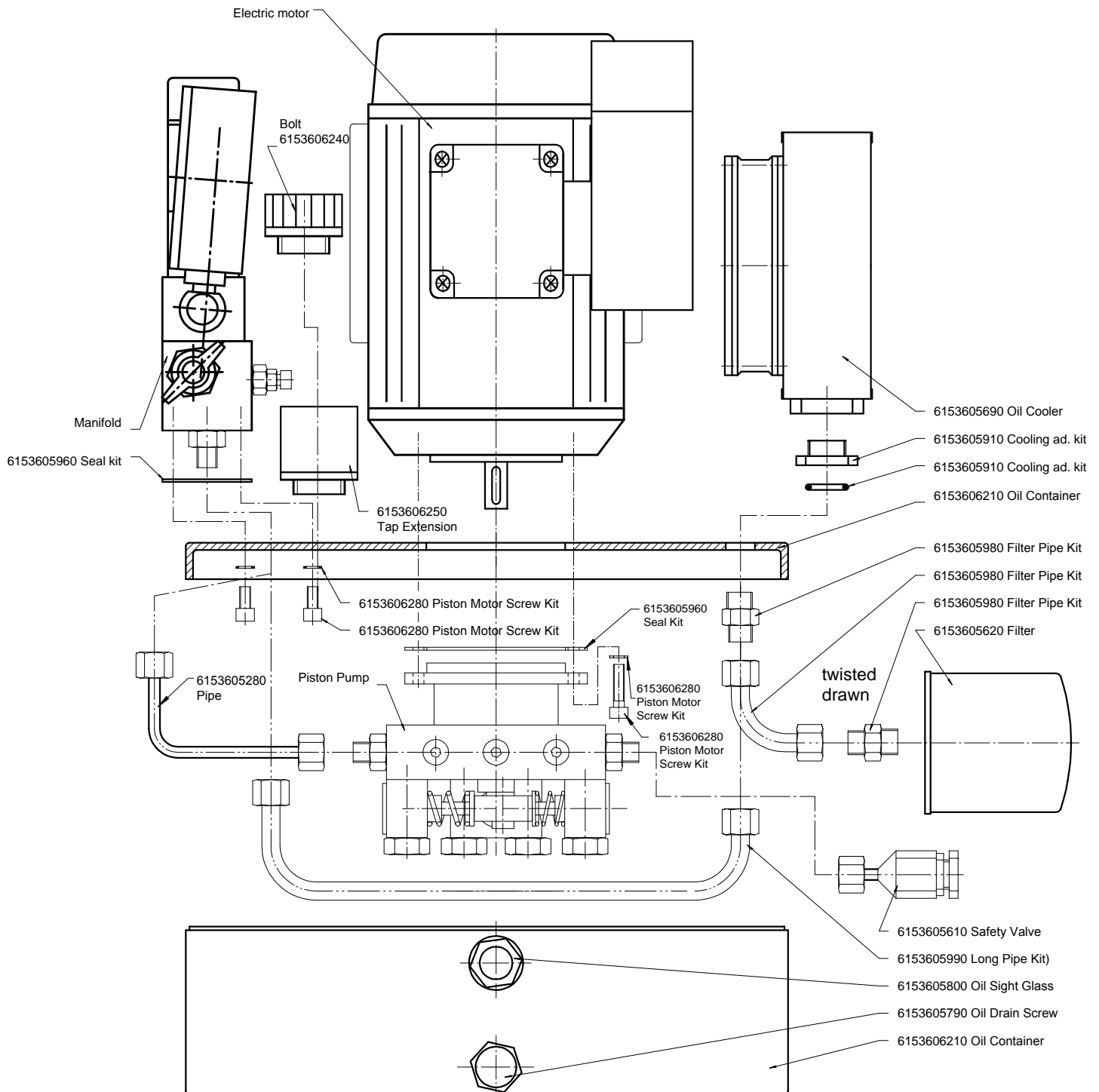
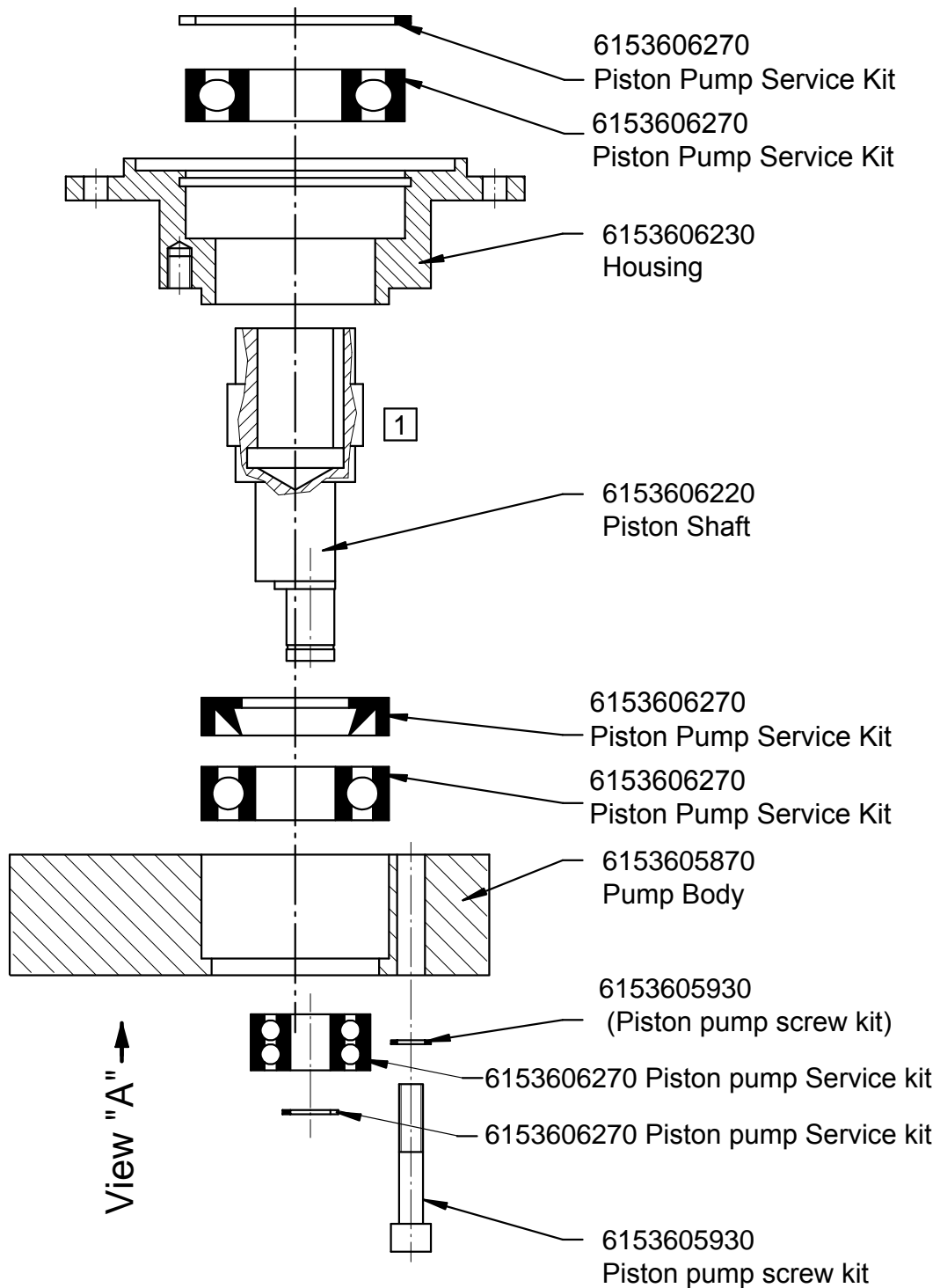


- EXE-MAXS-230-FF1 (6151560210)
- EXE-MAXS-230-FF4 (6151560220)
- EXE-MAXS-115-FF1 (6151560230)
- EXE-MAXS-115-FF4 (6151560240)
- EXE-MAXS-110-FF1 (6151560250)
- EXE-MAXS-110-FF4 (6151560260)

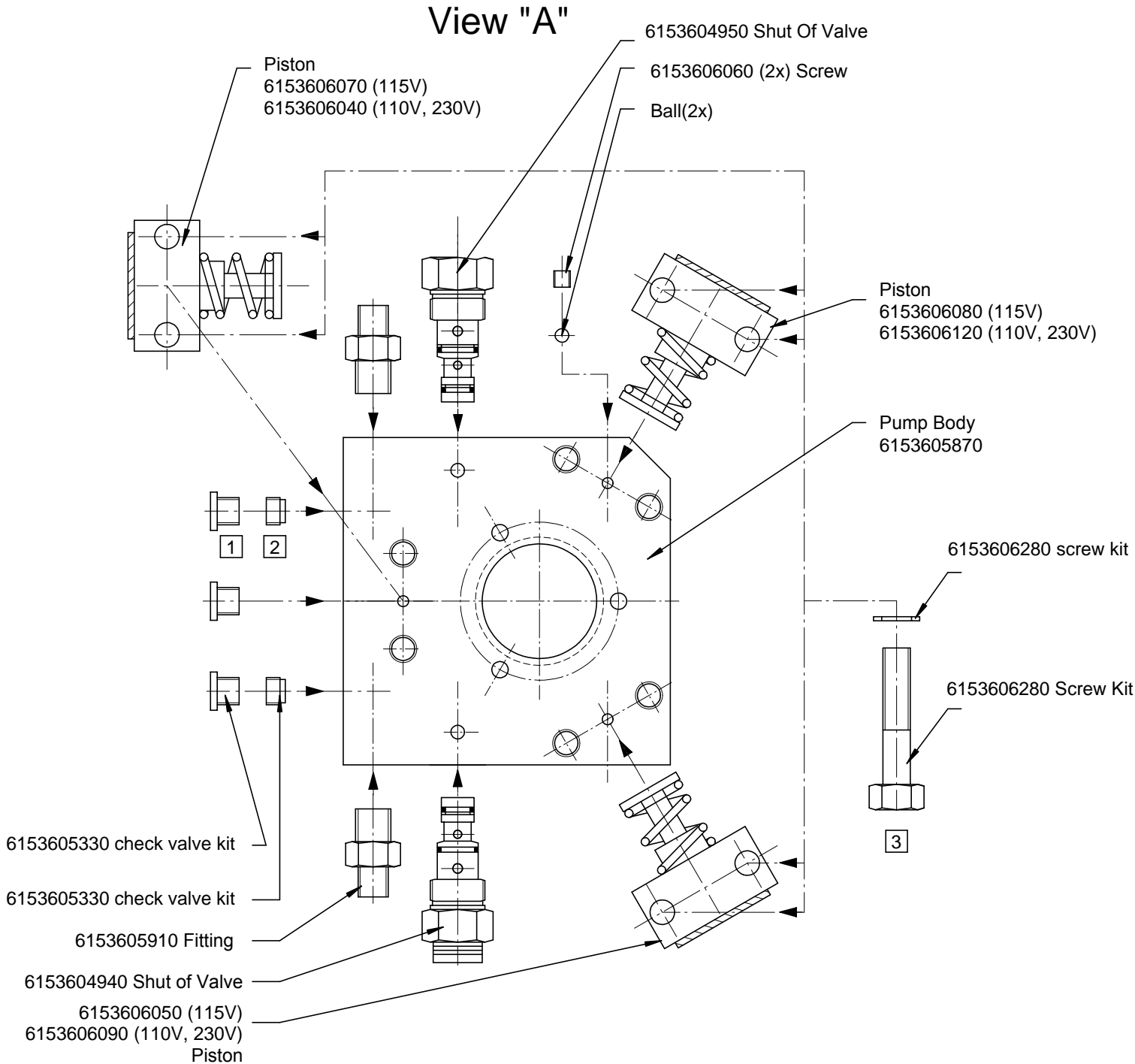




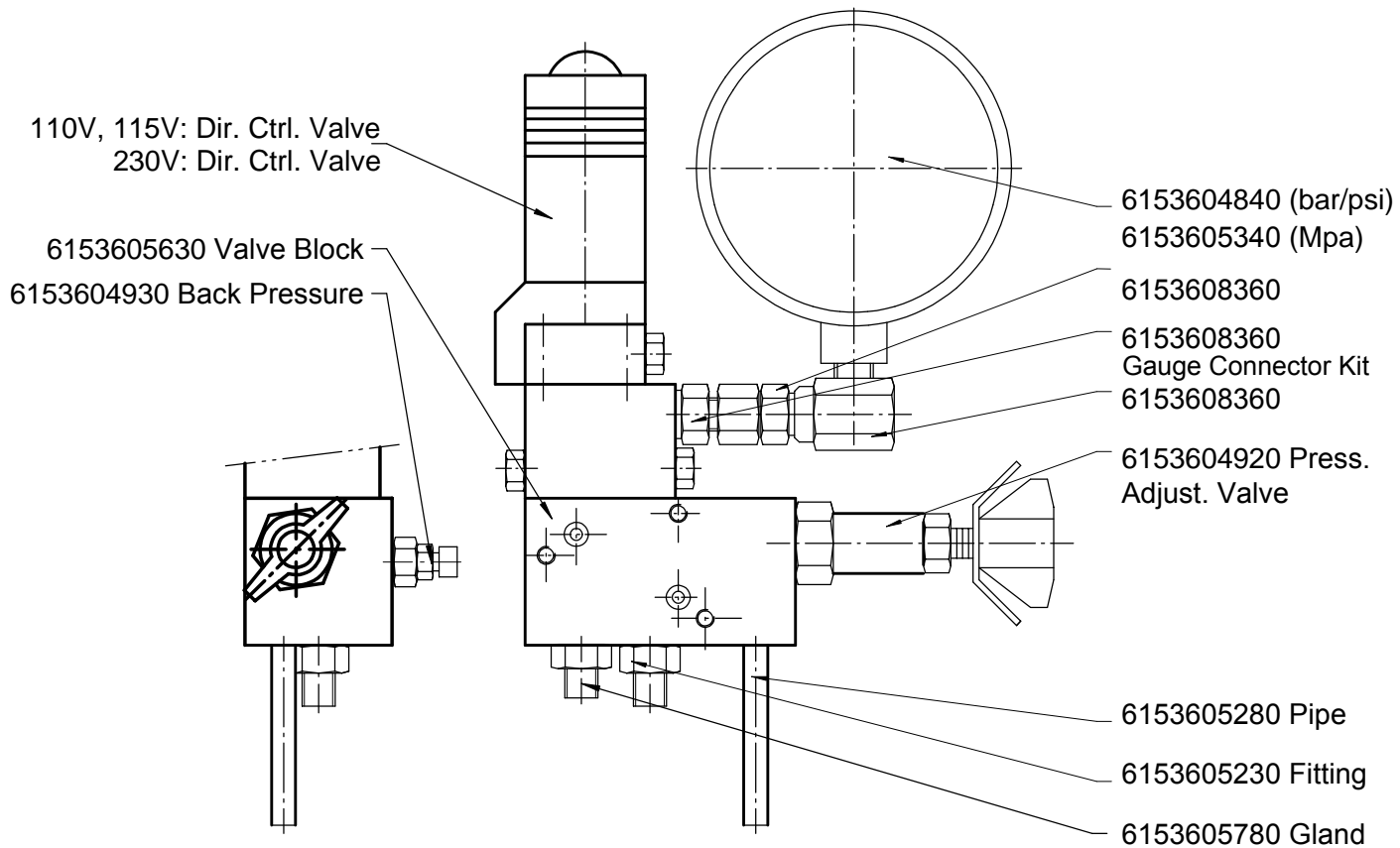


1 Oil in the assembly

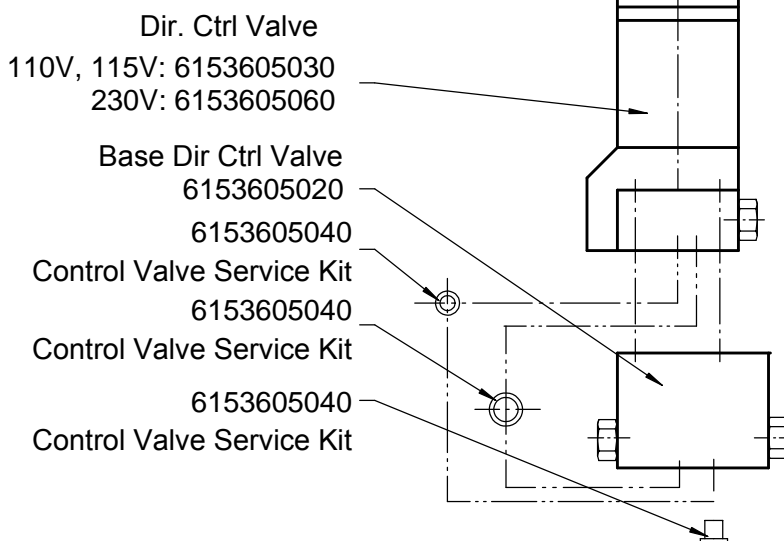
View "A"

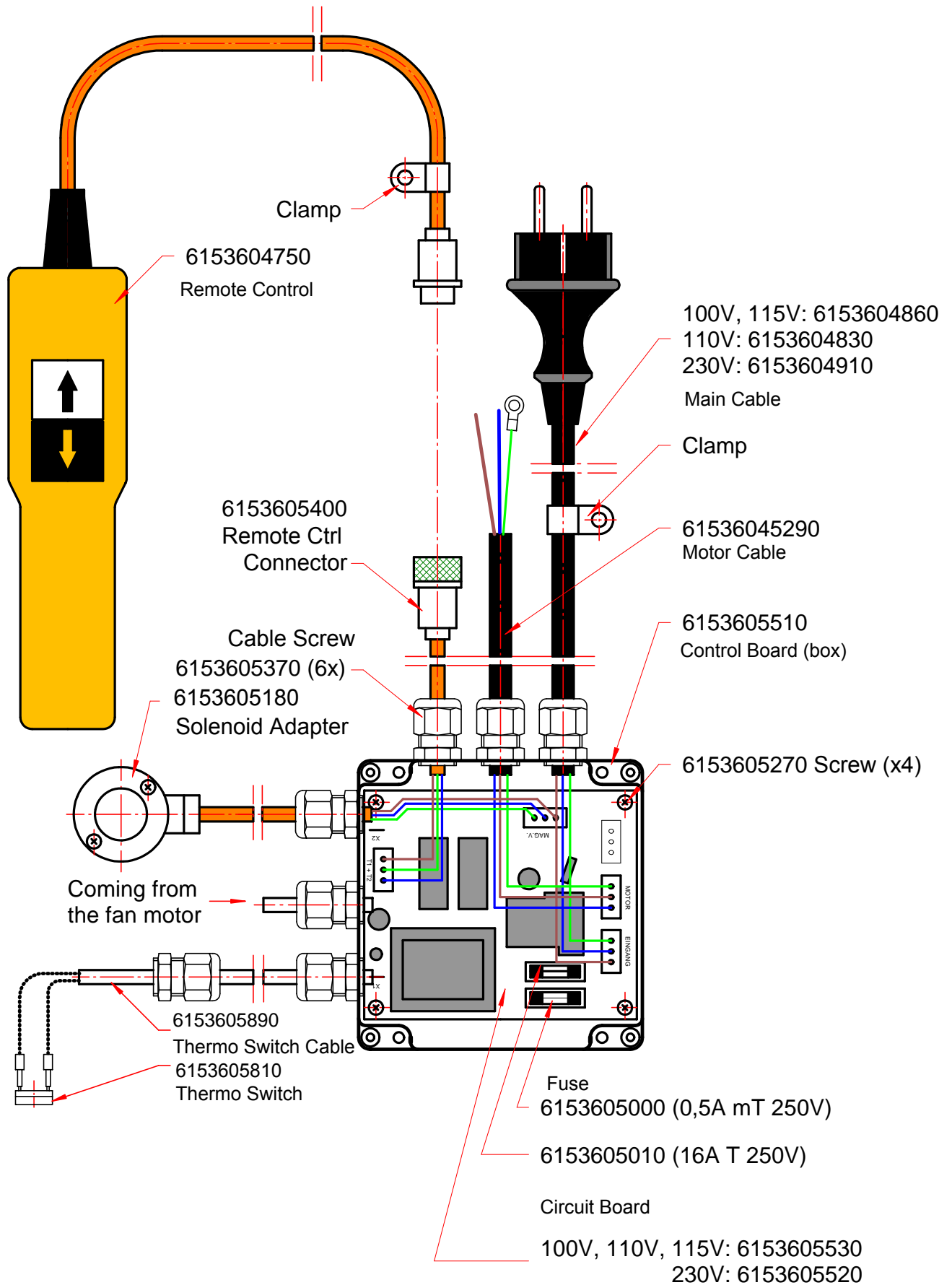


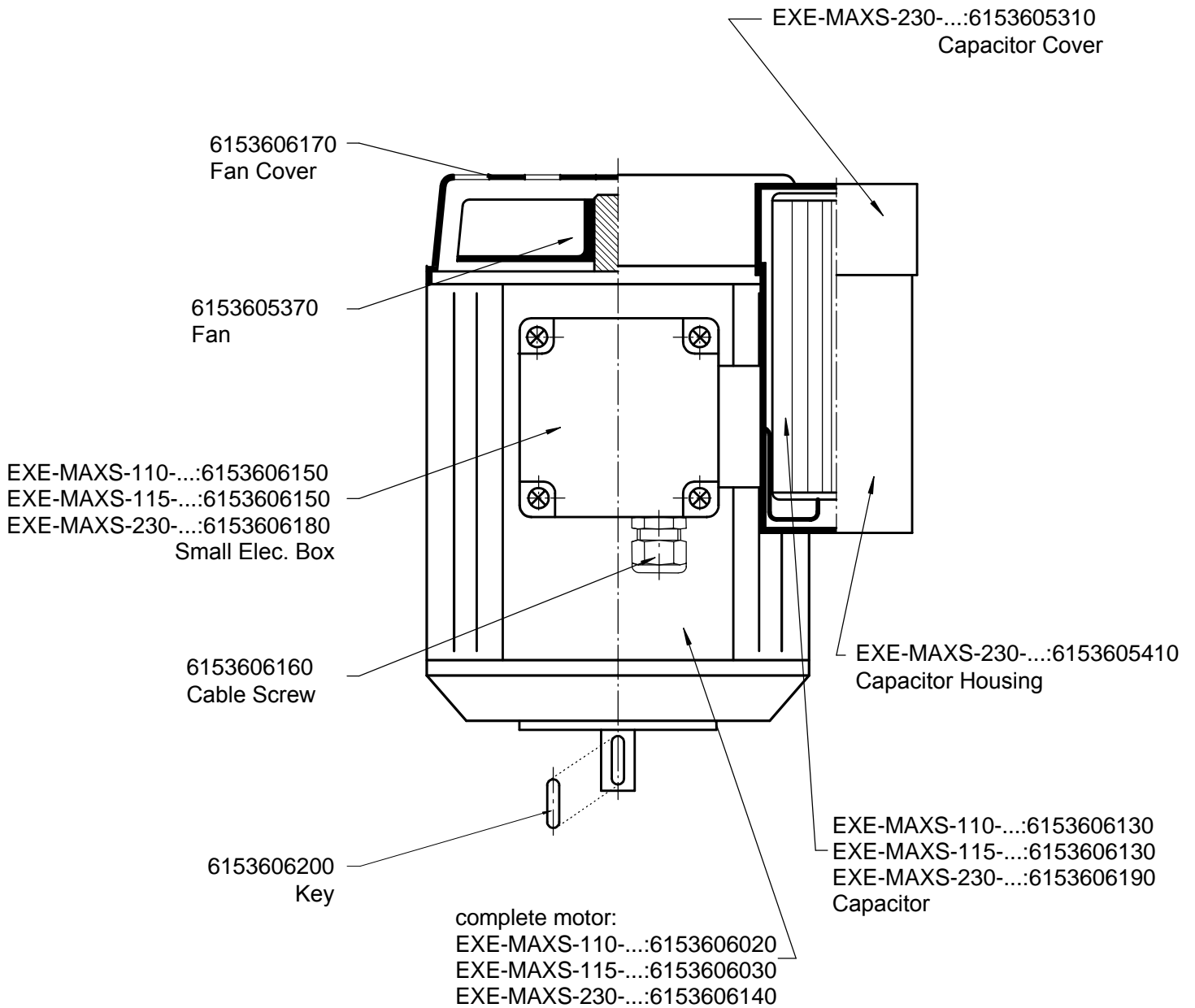
- 1** torque 15 Nm
- 2** use assembly tool 6153605430
- 3** torque 48 Nm



110V, 115V:Dir. Ctrl. Valve
230V: Dir. Ctrl. Valve
contains:








			EXE- MAXS- 230-FF1	EXE- MAXS- 230-FF4	EXE- MAXS- 115-FF1	EXE- MAXS- 115-FF4	EXE- MAXS- 110-FF1	EXE- MAXS- 110-FF4
Parts No.	Parts No.	Description	Qty	Qty	Qty	Qty	Qty	Qty
6153604750	10005	remote control	1	1	1	1	1	1
6153604810	20981	Circuit board	1	1	1	1	1	1
6153604820	20982	Circuit board	1	1	1	1	1	1
6153604830	20983	Cable 110V					1	1
6153604840	21079	Gauge psi/Bar with certificate	1	1	1	1	1	1
6153604850	21253	oil container	2	2	2	2	2	2
6153604850	21253	Oil Tank	1	1	1	1	1	1
6153604860	21244	Cable 115V			1	1		
6153604910	21249	Cable 230V	1	1				
6153604930	10009	Back Pressure	1	1	1	1	1	1
6153604940	10010	Shut-off Valve	1	1	1	1	1	1
6153604950	10011	Shut off valve	1	1	1	1	1	1
6153604920	10006	Press. Adjst Valve	1	1	1	1	1	1
6153605020	10120	Base Dir Ctrl Valve	1	1	1	1	1	1
6153605030	10122	Dir Ctrl Valve 110, 115V			1	1	1	1
6153605060	10124	Dir Ctrl Valve 230V	1	1				
6153605180	10161	Solenoid Adapter	1	1	1	1	1	1
6153605230	10193	Fitting	1	1	1	1	1	1
6153605720	21132	Tap Extension 21132	1	1	1	1	1	1
6153605270	10227	Screw	4	4	4	4	4	4
6153605280	10239	Pipe	1	1	1	1	1	1
6153605290	10451	Motor cable	1	1	1	1	1	1
6153605310	20319	Capacitor Cover	6	6	6	6	6	6
6153605370	20460	Cable screw	1	1	1	1	1	1
6153605400	10231	remote control connector	1	1	1	1	1	1
6153605410	20462	Capicitor housing	1	1	1	1	1	1
6153605500	21076	Control board	1	1	1	1	1	1
6153605510	21106	Circuit board 230V	1	1				
6153605610	10094	Safety valve	1	1	1	1	1	1
6153605620	10095	Oil Filter	1	1	1	1	1	1
6153605630	10134	Valve Block	1	1	1	1	1	1
6153605670	10169	Piston 110, 230V	1	1			1	1
6153605690	20583	Oil cooler	1	1	1	1	1	1
6153605770	10233	Clamp	1	1	1	1	1	1
6153605780	20038	Gland	1	1	1	1	1	1
6153605790	20053	Oil drain screw	1	1	1	1	1	1
6153605800	20331	Oil sight glass	1	1	1	1	1	1
6153605810	20338	Thermoswitch	1	1	1	1	1	1
6153605870	20573	Pump body	1	1	1	1	1	1
6153605890	20576	Thermo switch cable	1	1	1	1	1	1
6153606000	20589	full frame 20589	1	1	1	1	1	1
6153606010	21107	Circuit board 115, 110V			1	1	1	1
6153606020	21237	Electric motor 110V					1	1
6153606030	10126	Electric motor 115V			1	1		
6153606050	10170	Piston 115V			1	1		
6153606060	10196	Screw	1	1	1	1	1	1
6153606070	20012	Piston 115V			1	1		
6153606080	20013	Piston 115V			1	1		
6153606090	20015	Piston 110, 230V	1	1			1	1
6153606120	20121	Piston 110, 230V	1	1			1	1
6153606130	20254	Capacitor 110, 115V			1	1	1	1
6153606140	20328	Electric motor 230V	1	1				
6153606150	20453	Small electrical box 110, 115V			1	1	1	1
6153606160	20456	Fan	1	1	1	1	1	1
6153606170	20459	Fan Cover	1	1	1	1	1	1
6153606180	20463	Small electrical box 230V	1	1				
6153606190	20467	Capacitor 230V	1	1				
6153606200	20468	Key	1	1	1	1	1	1
6153606220	20937	Pump Shaft	1	1	1	1	1	1
6153606230	20938	Housing	1	1	1	1	1	1
6153606240	21123	Bolt	1	1	1	1	1	1
6153606250	21132	Tap Extension	1	1	1	1	1	1

			EXE- MAXS- 230-FF1	EXE- MAXS- 230-FF4	EXE- MAXS- 115-FF1	EXE- MAXS- 115-FF4	EXE- MAXS- 110-FF1	EXE- MAXS- 110-FF4
Parts No.	Parts No.	Description	Qty	Qty	Qty	Qty	Qty	Qty
6153608360		Gauge Connector Kit						
	10238	Fitting	1	1	1	1	1	1
	10193	Fitting	2	2	2	2	2	2
	20692	Gauge connector	1	1	1	1	1	1
6153606260		Foot Kit EXE max S						
	20594	Spring ring	4	4	4	4	4	4
	20438	Screw	4	4	4	4	4	4
	20847	Rubber Feet	4	4	4	4	4	4
	21251	Screw	4	4	4	4	4	4
6153605930		Pistonpump Screw Kit						
	10187	Screw	6	6	6	6	6	6
	10178	Spring ring	6	6	6	6	6	6
6153605910		Cooling Adaptor Kit						
	20042	Adapter	2	2	2	2	2	2
	20429	O-Ring	2	2	2	2	2	2
6153605950		Cylinder Screw kit						
	20446	Cylinder Head Screw	4	4	4	4	4	4
	20444	Cylinder Head Screw	7	7	7	7	7	7
6153606270		Piston EXE max S Pump Service Kit						
	20924	Ball Bearing	1	1	1	1	1	1
	21097	Seal	1	1	1	1	1	1
	20899	Ball bearing	1	1	1	1	1	1
	10199	Ball bearing	1	1	1	1	1	1
	10200	Ring	1	1	1	1	1	1
	20925	Ring	1	1	1	1	1	1
6153605980		Filter Pipe Kit						
	20037	Gland	1	1	1	1	1	1
	20582	Pipe	1	1	1	1	1	1
	20427	Gland	1	1	1	1	1	1
6153605990		Long Pipe Kit						
	20427	Gland	1	1	1	1	1	1
	20581	Pipe	1	1	1	1	1	1
6153606280		Motor Piston Screw Kit EXE Max S						
	10178	Spring ring	8	8	8	8	8	8
	20446	Cylinder Head Screw	4	4	4	4	4	4
	20444	Cylinder Head Screw	4	4	4	4	4	4
	10177	Screw	6	6	6	6	6	6
	10176	Spring Ring	6	6	6	6	6	6
6153605960		Seal Kit						
	20019	Seal	1	1	1	1	1	1
	10210	Seal	1	1	1	1	1	1
	20429	O-Ring	2	2	2	2	2	2
6153605330		Check Valve Kit						
	10181	Screw	3	3	3	3	3	3
	20374	Check Valve	2	2	2	2	2	2
6153605040		Control Valve Service Kit						
	10235	O-ring	4	4	4	4	4	4
	10236	O-ring	4	4	4	4	4	4
	10237	Check valve	1	1	1	1	1	1

Accessory

6153605340	Gauge with certificate (Mpa)
------------	------------------------------

6159921210	Operator's Manual	
6159921190	Safety Instructions	
CA155779	Warning Label	